



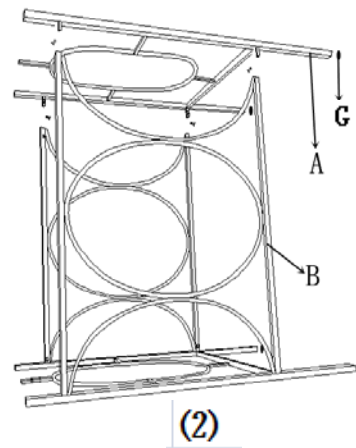
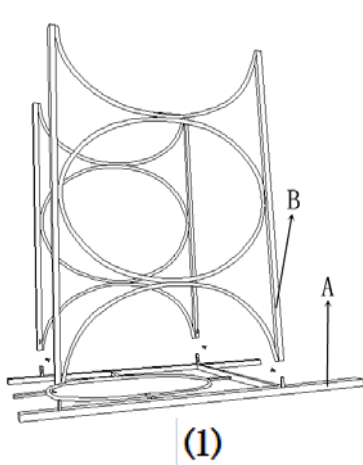
UTTERMOST

## 24543 Assembly Instruction

## Parts/Hardware list

A	Side Legs	2PCS	D	Mirror	1PC
B	Stretcher	2PCS	E	Tempered glass	1PC
C	Top Shelf	1PC	F	Screws	12PCS
			G	Felt pad	4PCS

1. Take the parts carefully out of the carton, and place them on a flat and soft surface, making sure that the parts will not be damaged.
2. Use 4 Screws (F) to assemble the Side Leg(A) and 2 Stretcher(B) together for one side like below picture (1)
3. Use 4 Screws (F) to assemble the Side Leg(A) on another side of Stretcher(B) together like below picture (2).



4. Stick the Felt pad (G) on the bottom of 4 feet on the Side Legs(A).
5. Use 4 Screws (F) to assemble the Top Shelf(C) on Side legs (A) like below picture (3)
6. Please carefully place Mirror (D) on Top shelf( C ),  
Tempered glass ( E ) on lower shelf as show in below picture (4).
7. Softly clean & wipe with dry cloth.

